

## Tactical Cable Connector ITT-YZ Series

P/N: ITT.FOC.TAC



ITT-YZ02P Plug

ITT-YZ02S Socket

ITT-YZ04P Plug

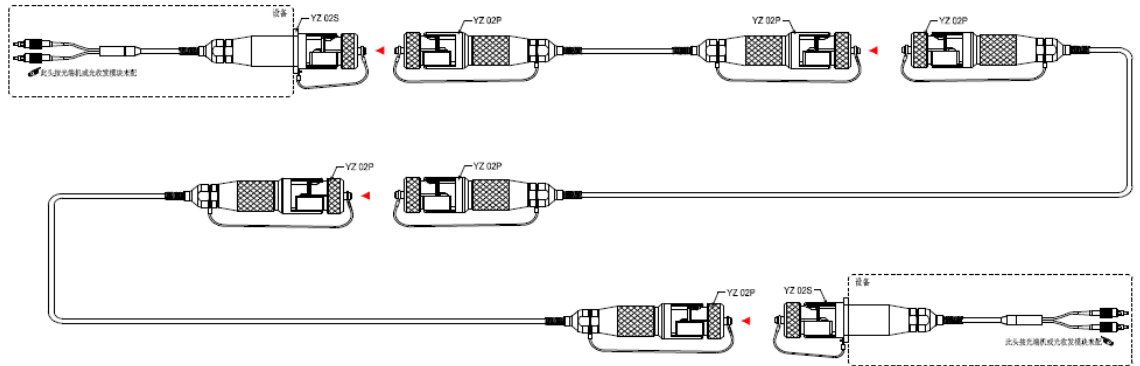
ITT-YB04S Socket

Designed for military field fiber optic cable supporting, neutral bayonet locking structure supporting fastly connection. With multi-core once connected and blind insertion; connection loss, high reliability; rugged, waterproof, dustproof, resistance to harsh environments. ITT-Y (Plastic shell) 2/4 cores.

### Products are mainly used for

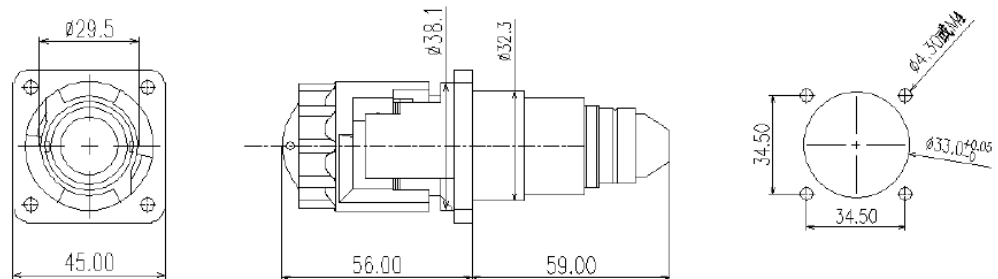
- military emergency communications,
- broadcast television,
- emergency rush through optical fiber communications,
- mining,
- oil and so on.

### Connection Drawing



Two equipment Link connection extending Drawing

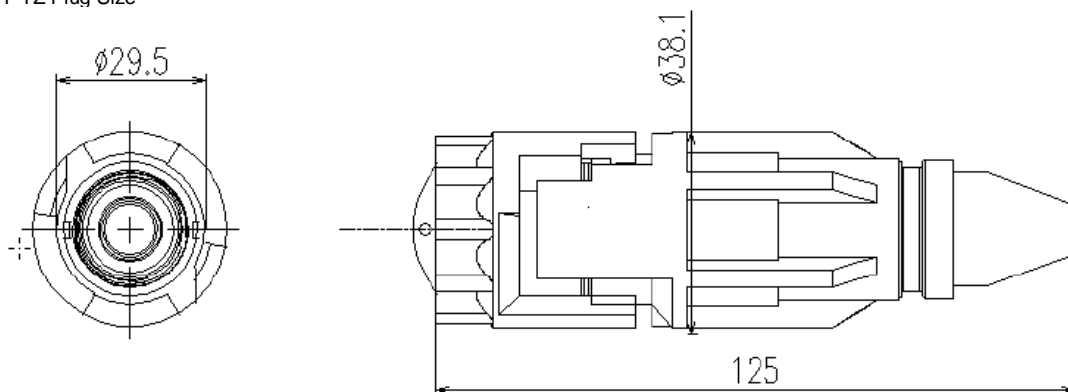
### ITT-YZ Socket Size



SERVICES:  
Guaranteed Warranty



ITT-YZ Plug Size



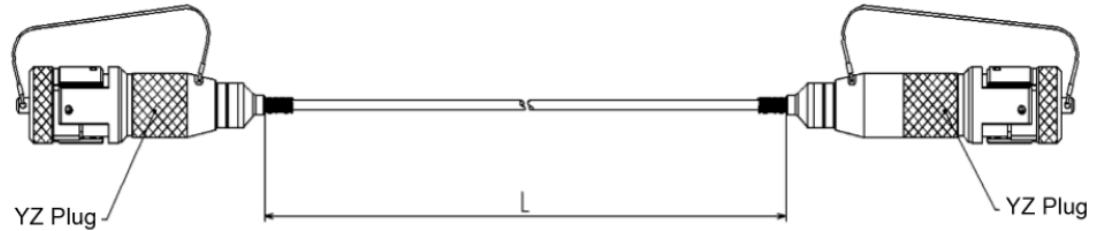
## Interface:

<b>Insertion Loss</b>	<ul style="list-style-type: none"> <li>➤ SM: <math>\leq 1.0\text{dB}</math> (Typical <math>\leq 0.5\text{dB}</math>)</li> <li>➤ MM: <math>\leq 1.0\text{dB}</math> (Typical <math>\leq 0.3\text{dB}</math>)</li> </ul>
<b>Return Loss</b>	<ul style="list-style-type: none"> <li>➤ SM: <math>\geq 50\text{dB}</math></li> </ul>
<b>Mechanical</b>	<ul style="list-style-type: none"> <li>➤ Plug: <math>\leq 1000\text{N}</math> (Main Cable)</li> <li>➤ Socket: <math>\leq 100\text{N}</math> (Branch Cable)</li> </ul>
<b>Operation Temp.</b>	<ul style="list-style-type: none"> <li>➤ <math>-40^{\circ}\text{C} \sim 85^{\circ}\text{C}</math></li> </ul>
<b>IP Rate</b>	<ul style="list-style-type: none"> <li>➤ IP67</li> </ul>
<b>Cable Parameter</b>	<ul style="list-style-type: none"> <li>➤ Cable OD.: 3.0mm, 4.0mm, 5.0mm, 7.5mm</li> <li>➤ Outer Sheath: TPU or Hytel</li> <li>➤ Anti-push: Unit KEVLAR</li> <li>➤ Fiber: Type 9/125, 50/125, 62.5/125</li> <li>➤ Fiber Outer: 900um fiber</li> <li>➤ Tensile Strength Short term: 600N Long term: 200N</li> </ul>
<b>Certifications:</b>	<ul style="list-style-type: none"> <li>➤ CE, FCC, RoHS</li> </ul>

SERVICES:  
Guaranteed Warranty



## ITT-Y Assembly Ordering Info:



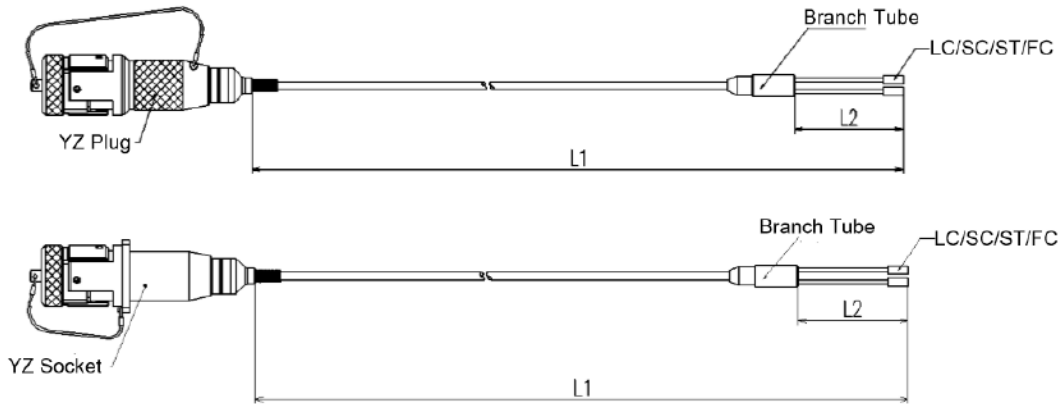
End A Plug (Socket)	ITT-YZ02P	ITT-YZ02P	L100m	SM4.0
End B Plug (Socket)				
Length	100m- fiber length 100m			
Fiber Type	<b>SM</b> - Single Mode fiber (9/125) <b>A1a</b> - Multi Mode fiber (50/125) <b>A1b</b> - Multi Mode fiber (62.5/125) <b>OM3</b> - OM3-300 fiber			

### [Ordering info example]

- (1) ITT-YZ02P ITT-YZ02P-L100m-SM4.0  
Both end is ITT-YZ02P Plug, length is 100m 4.0mm 2core Tactical Armored Optical Cable.
- (2) ITT-YZ02P ITT-YZ02S-L100m-SM4.0  
End A is ITT-YZ02P Plug, End B is ITT-YZ02S Socket, length is 100m 4.0mm 2core Tactical Armored Optical Cable.

SERVICES:  
Guaranteed Warranty





<b>End A Plug (Socket)</b>	ITT-YZ02S	2ST	L3/0.3m	SM3.0
<b>End B Connector</b>	2ST Connector (LC, ST, FC optional)			
<b>Length</b>	L3-Total fiber length 3m / 0.3m- Branch Cable is 0.3m			
<b>Fiber Type</b>	<b>SM-</b> Single Mode fiber (9/125) <b>A1a-</b> Multi Mode fiber (50/125) <b>A1b-</b> Multi Mode fiber (62.5/125) <b>OM3-</b> OM3-300 fiber <b>1.8-</b> Branch Cable O.D. is 1.8mm <b>3.0-</b> Branch Cable O.D. is 3.0mm			

## [Ordering info example]

- (1) ITT-YZ02S-2ST-L3/0.3m-SM3.0  
End A is ITT-YZ02S Socket, end B is 2ST connector, length is 3/0.3m, SM armored tactical branch cable, O.D. is 3.0mm
- (2) ITT-YZ02P-2ST-L3/0.3m-SM3.0  
End A is ITT-YZ02P Plug, end B is 2ST connector, length is 3/0.3m, SM armored tactical branch cable, O.D. is 3.0mm
- (3) ITT-YZ04P-4ST-L3/0.3m-SM1.8  
End A is ITT-YZ04P Plug, end B is 4ST connector, length is 3/0.3m, SM armored tactical branch cable, O.D. is 1.8mm

SERVICES:  
Guaranteed Warranty

